

shindaiwa[®]

PARTS CATALOG

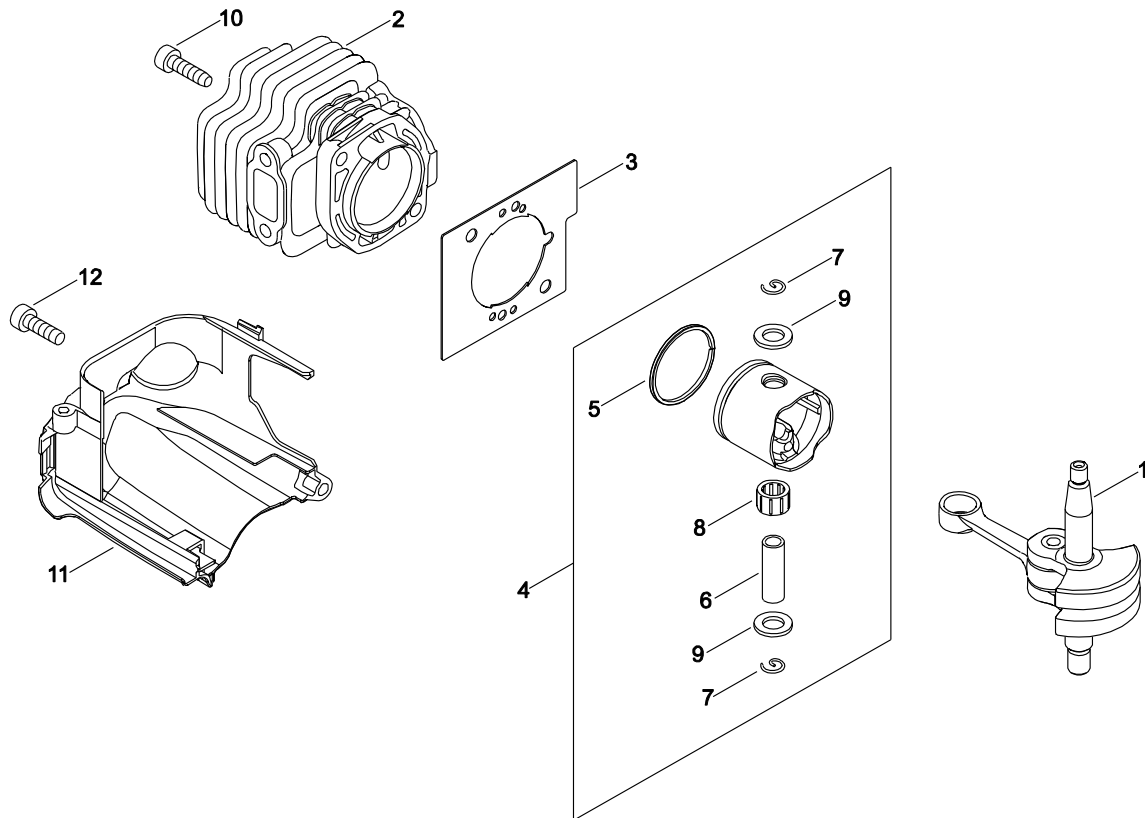
HEDGE TRIMMER DH185ST(37)

37000001 -

CE

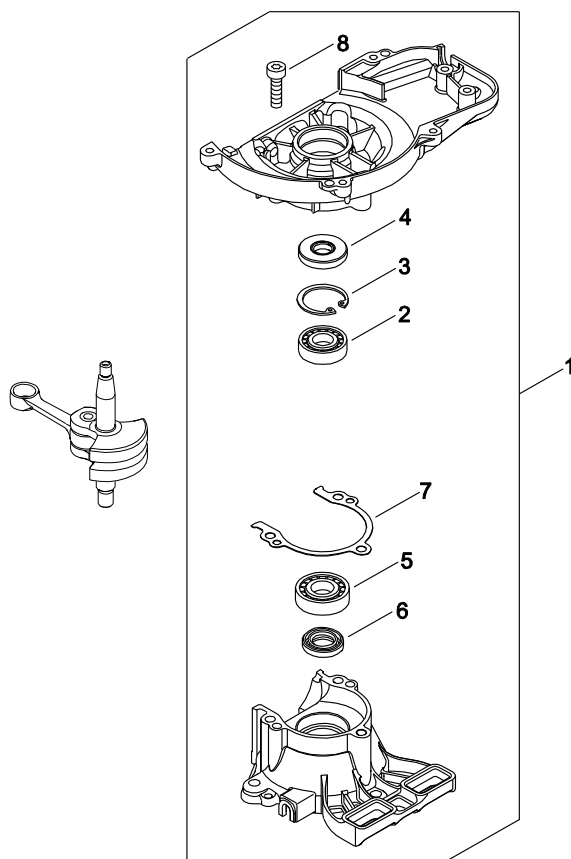
P016-002850-15I

1. CYLINDER, PISTON, CRANKSHAFT



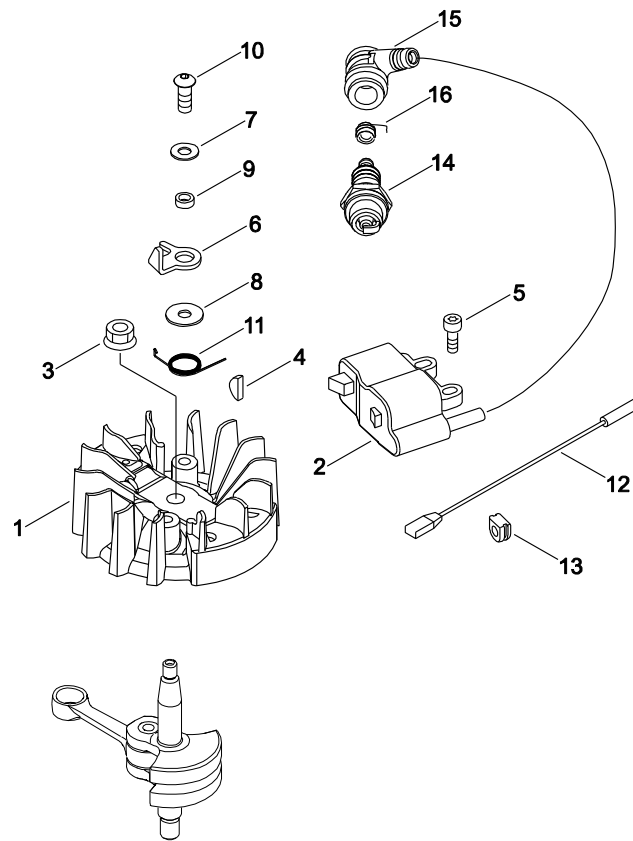
KEY	LV	PART NUMBER	Q'TY	DESCRIPTION	REMARKS	NOTE1	NOTE2
1		A011-001360	1	CRANKSHAFT,ASY			
2		A130-001960	1	CYLINDER			
3		V100-000720	1	GASKET,CYL			
4		P021-037930	1	PISTON KIT			
5	+	A101-000090	1	RING,PISTON			
6	+	V606-000020	1	PIN,ENG 8	5.8*8*25.5		
7	+	100015-04630	2	CIRCLIP, PISTON PIN			
8	+	100113-05930	1	BEARING, NEEDLE	8*12*8		
9	+	100014-08960	2	SPACER, PISTON PIN			
10		V805-000210	2	BOLT, TORX 5	TB-5*20 12.9		
11		A160-003200	1	COVER,CYLINDER			
12		V805-000150	1	BOLT, TORX 5	TB-5*16 10.9		

2. CRANKCASE



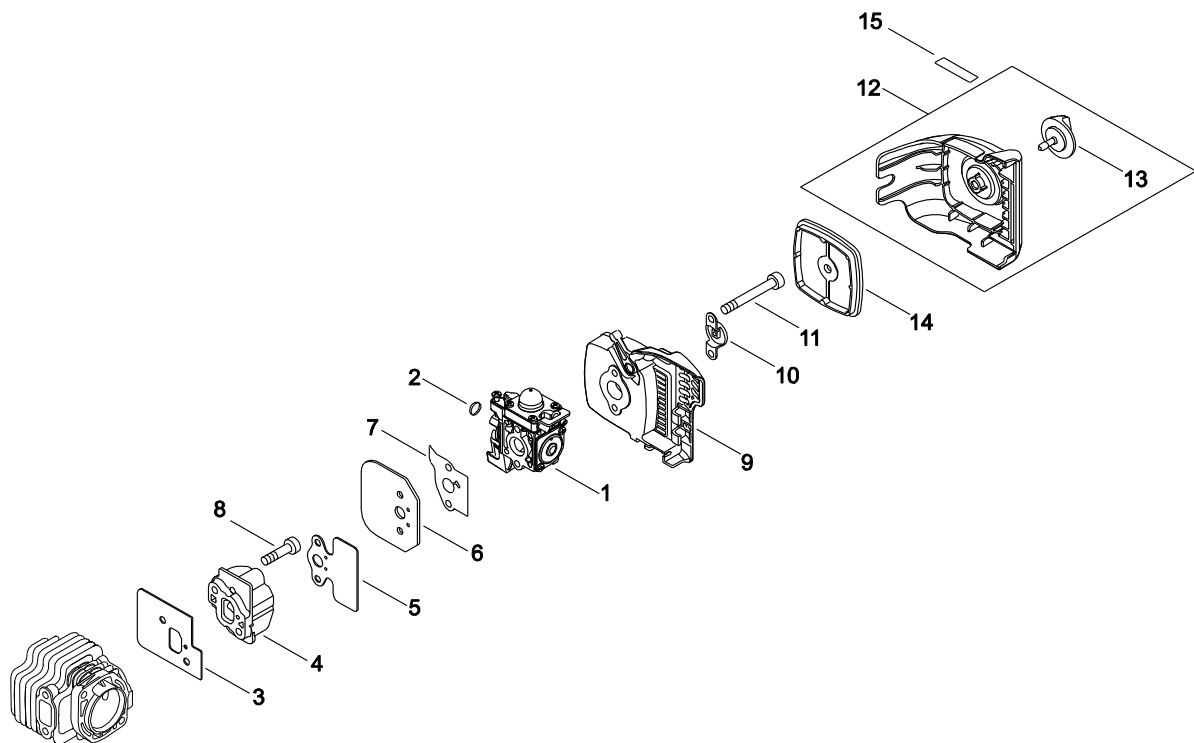
KEY	LV	PART NUMBER	Q'TY	DESCRIPTION	REMARKS	NOTE1	NOTE2
1		P021-046110	1	CRANKCASE SET			
2	+	900810-36000	1	BEARING, BALL			
3	+	900702-00026	1	CIRCLIP 26	CR-26		
4	+	100213-61830	1	OILSEAL	ISCD 10*26*5		
5	+	900810-36000	1	BEARING, BALL			
6	+	100212-61830	1	OILSEAL	ISCD 10*20*5		
7	+	V102-000240	1	GASKET,CRANKCASE			
8	+	V805-000220	3	BOLT, TORX 5	TB-5*25 12.9		

3. MAGNETO



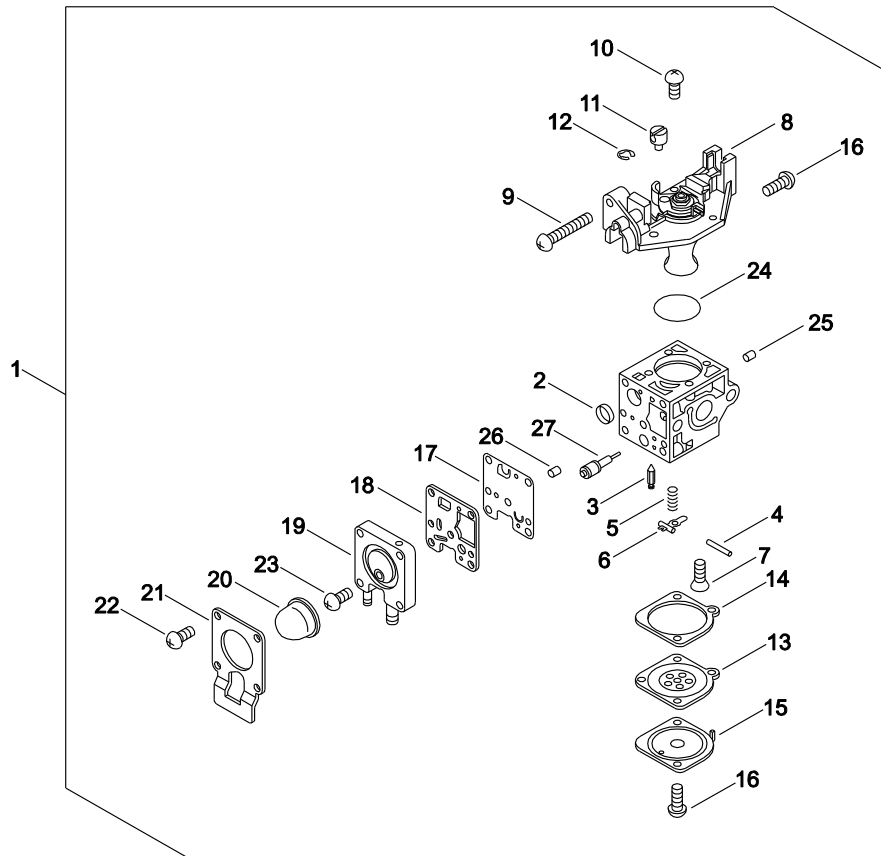
KEY	LV	PART NUMBER	Q'TY	DESCRIPTION	REMARKS	NOTE1	NOTE2
1		A409-001120	1	ROTOR, MAGNETO			
2		A411-001490	1	COIL, IGNITION			
3		92105-06000	1	NUT, FLANGE	M6*1.0 L		
4		100142-12330	1	KEY, WOODRUFF			
5		V804-000060	2	BOLT, TORX 4	TB-4*16 10.9		
6		A514-000260	2	PAWL			
7		900603-00005	2	WASHER 5	5.5*12*0.8		
8		131911-03460	2	WASHER			
9		178070-10860	2	SPACER			
10		V203-000080	2	BOLT,5	5*14		
11		V452-001370	2	SPRING,TORSION			
12		V485-001220	1	LEAD	L:85		
13		V135-000150	1	GROMMET,HT CORD			
14		A425-000000	1	SPARKPLUG	BPMR8Y		
15		A427-000013	1	CAP, SPARK PLUG			
16		A426-000010	1	TERMINAL, SPARKPLUG			

4. AIR CLEANER, CARBURETOR



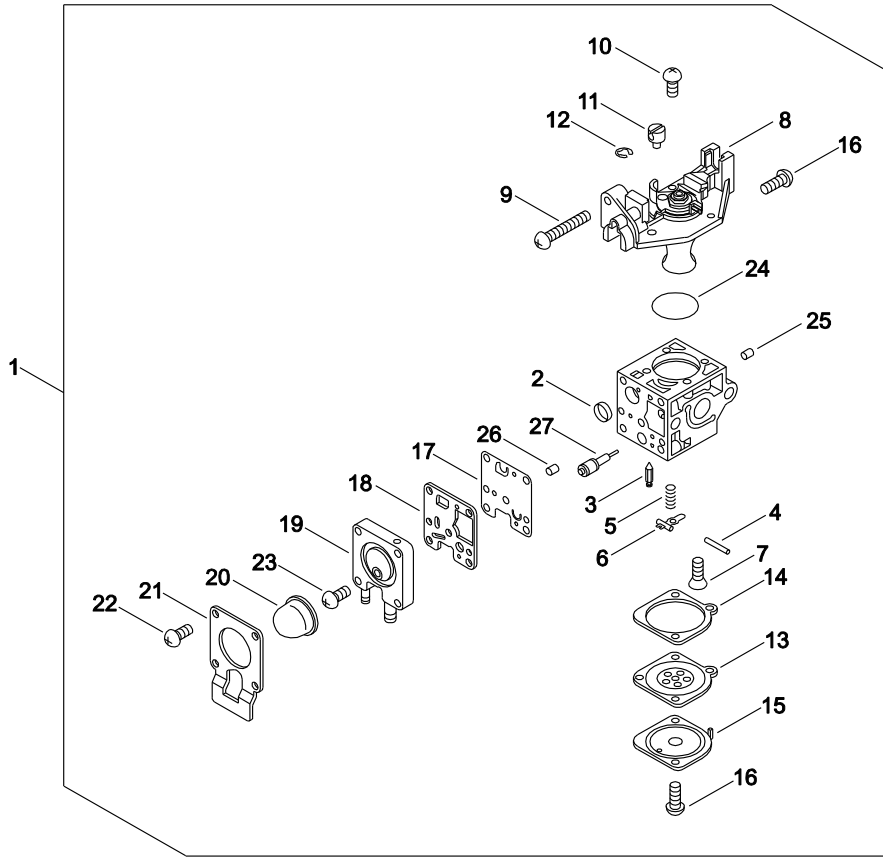
KEY	LV	PART NUMBER	Q'TY	DESCRIPTION	REMARKS	NOTE1	NOTE2
1		A021-004231	1	CARBURETOR,DIAPHRAGM	RB-K119		
2		V490-001100	1	CLIP			
3		V103-001401	1	GASKET,INTAKE			
4		A200-000941	1	INSULATOR, INTAKE			
5		V103-001730	1	GASKET,INTAKE	T:1.0		
6		A209-000610	1	PLATE, INSULATOR			
7		V103-001740	1	GASKET,INTAKE			
8		V805-000170	2	BOLT, TORX 5	TB-5*25 10.9		
9		P021-041570	1	AIR CLEANER ASY			
10		A244-000070	1	PLATE,PREVENT			
11		V805-000100	2	BOLT, TORX 5	TB-5*65 10.9		
12		P021-050320	1	CLEANER LID ASY			
13	+	V299-000410	1	KNOB			
14		A226-001410	1	ELEMENT,AIR FILTER			
15		890332-52730	1	LABEL, CHOKE			

5. CARBURETOR



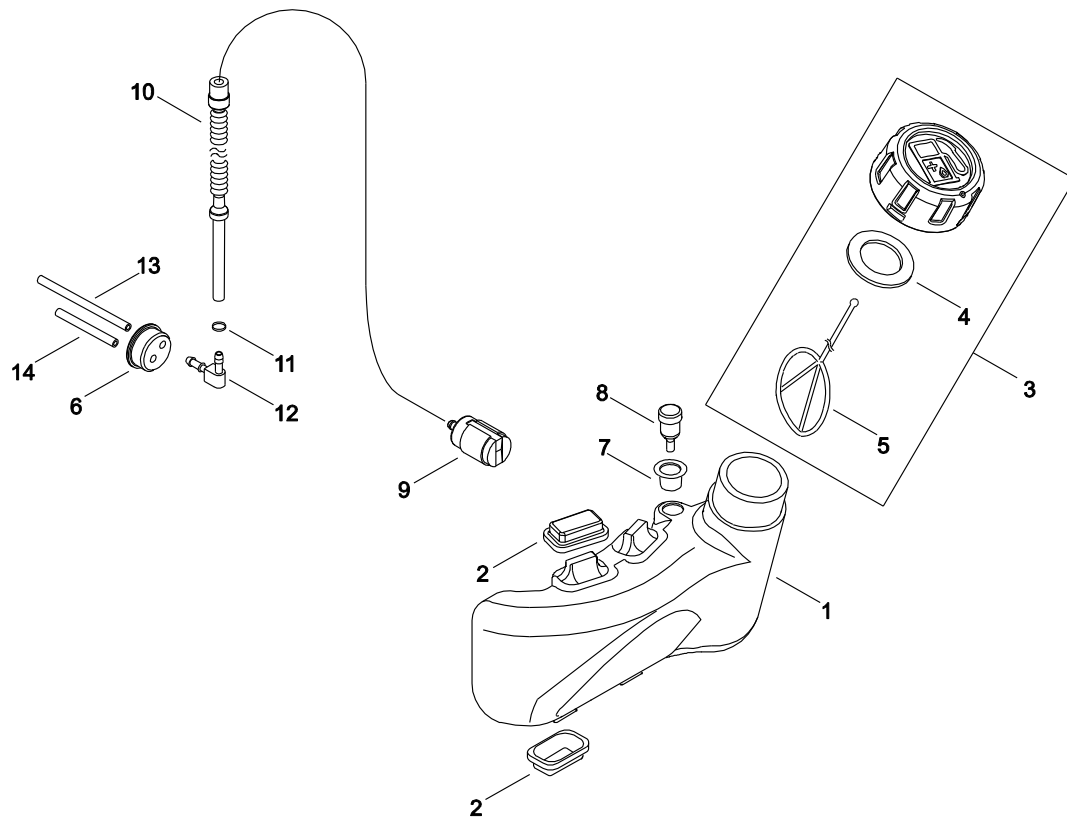
KEY	LV	PART NUMBER	Q'TY	DESCRIPTION	REMARKS	NOTE1	NOTE2
1		A021-004231	1	CARBURETOR,DIAPHRAGM	RB-K119		
2	+	P005-000010	1	STRAINER			
3	+	125337-08260	1	VALVE, INLET NEEDLE			
4	+	125338-13930	1	PIN, METERING ARM			
5	+	P005-000940	1	SPRING, METER. LEVER			
6	+	125323-08260	1	ARM, VALVE			
7	+	125339-42030	1	SCREW			
8	+	P005-002050	1	COVER ASY, ROTOR			
9	+	P005-000100	1	SCREW, THROTTLE ADJUST			
10	+	125344-13931	3	SCREW			
11	+	P005-002200	1	POST			
12	+	P005-000190	1	E-RING			
13	+	P005-002230	1	DIAPHRAGM ,METERING			
14	+	P005-000200	1	GASKET, METERING			
15	+	125342-52130	1	COVER, DIAPHRAGM			
16	+	125344-52130	3	SCREW			
17	+	P005-000510	1	DIAPHRAGM, PUMP			
18	+	P005-000520	1	GASKET, PUMP			
19	+	P005-001890	1	BASE, ASY PRIMER			
20	+	P005-003110	1	PUMP, PRIMER			
21	+	P005-000250	1	RETAINER			
22	+	P005-001900	4	SCREW			
23	+	P005-000270	1	SCREW			
24	+	P005-000280	1	O-RING			
25	+	P005-001000	1	ROLLER, GUIDE			

5. CARBURETOR



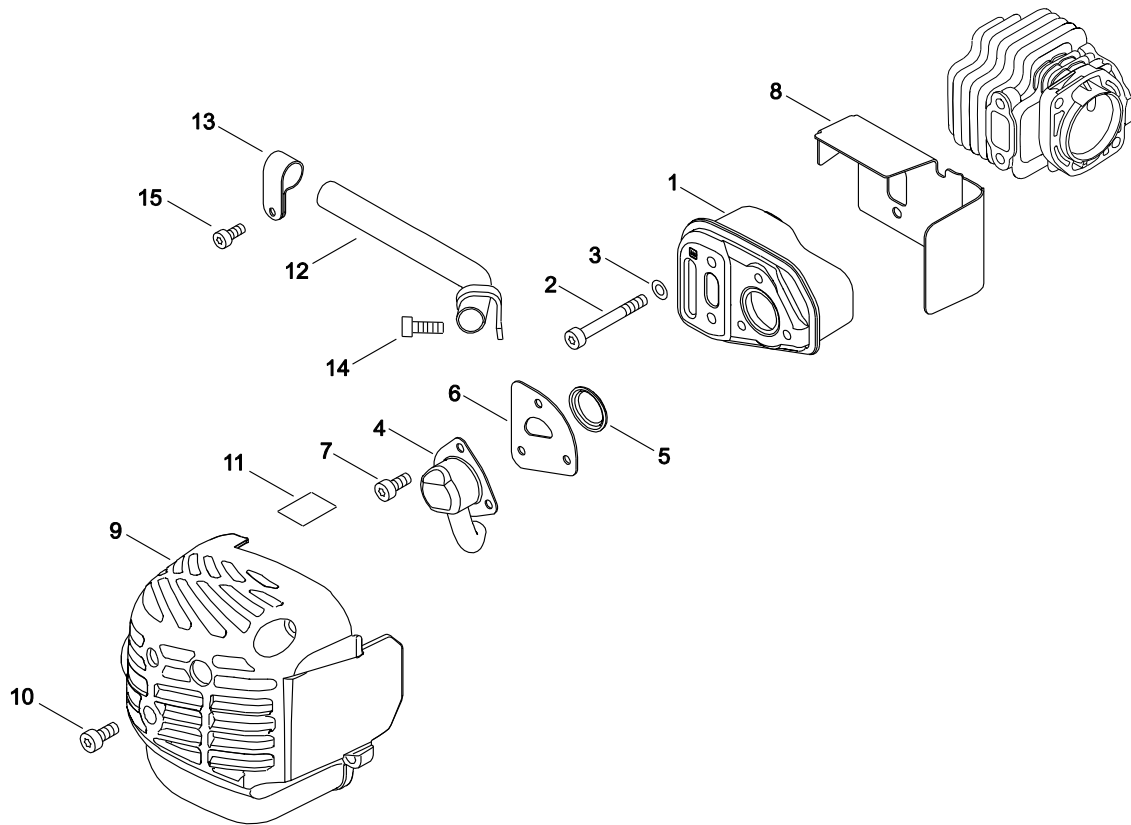
KEY	LV	PART NUMBER	Q'TY	DESCRIPTION	REMARKS	NOTE1	NOTE2
26	+	P005-001250	1	RETAINER,PLUG BALL			
27	+	P005-001260	1	SCREW,MAINN MIXTURE			

6. FUEL TANK



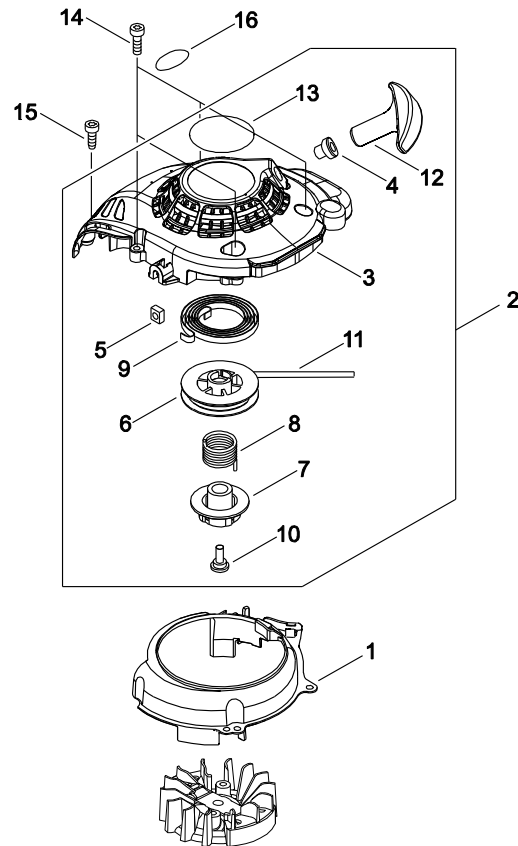
KEY	LV	PART NUMBER	Q'TY	DESCRIPTION	REMARKS	NOTE1	NOTE2
1		A350-001880	1	TANK, FUEL			
2		V420-004490	4	CUSHION			
3		P021-045610	1	FUEL CAP ASY			
4	+	131016-55830	1	GASKET, FUEL CAP			
5	+	A365-000060	1	CONNECTOR,CAP	L=123		
6		132115-44330	1	GROMMET			
7		V137-000000	1	GROMMET,FUEL			
8		A356-000031	1	VALVE,CHECK			
9		A369-000480	1	STRAINER, FUEL	125-959		
10		V471-003510	1	PIPE	L=125		
11		V490-000500	1	CLIP			
12		V186-000270	1	JOINT,PIPE			
13		V471-003500	1	PIPE	L=92		
14		132010-49730	1	PIPE 3*6*85	3*6*85 YL		

7. MUFFLER



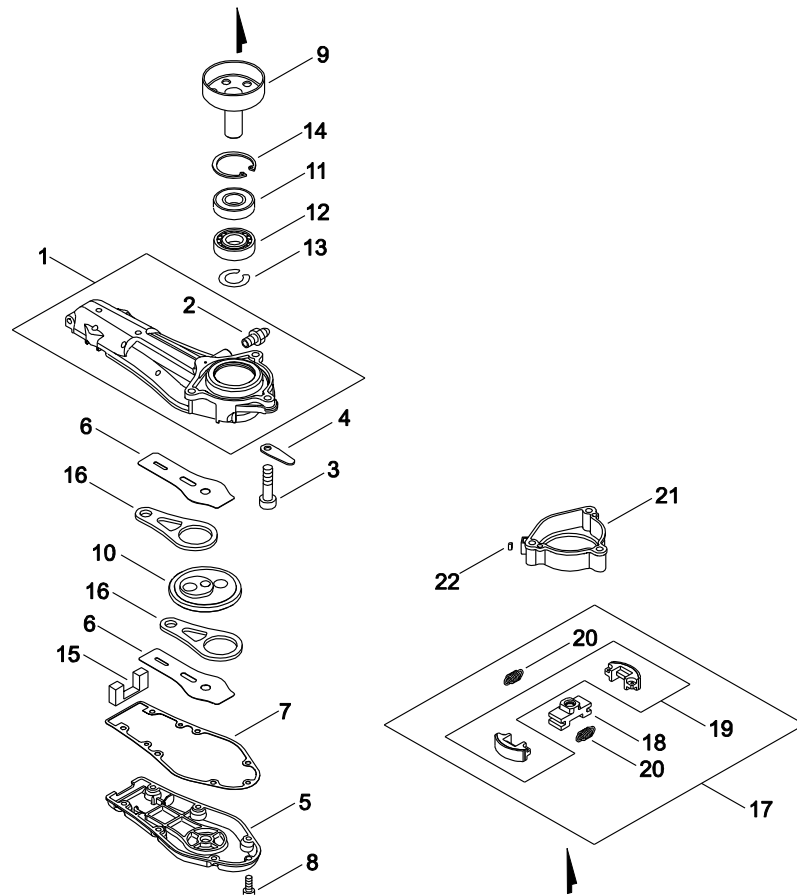
KEY	LV	PART NUMBER	Q'TY	DESCRIPTION	REMARKS	NOTE1	NOTE2
1		A300-001860	1	MUFFLER, EXHAUST			
2		V805-000190	2	BOLT, TORX 5	TB-5*55 12.9		
3		900603-00005	2	WASHER 5	5.5*12*0.8		
4		A313-001990	1	GUIDE, EXHAUST	ID#2170		
5		A310-000470	1	SCREEN, ARRESTOR			
6		V104-002180	1	GASKET, EXHAUST			
7		V804-000030	3	BOLT, TORX 4	TB-4*8 10.9		
8		V104-002190	1	GASKET, EXHAUST			
9		A320-001170	1	COVER, MUFFLER			
10		V805-000320	2	BOLT, TORX 5	TB-5*16 10.9		
11		X505-002310	1	LABEL, CAUTION	HOT CAUTION		
12		A313-002000	1	GUIDE, EXHAUST			
13		A319-000510	1	STAY, MUFFLER			
14		V805-000130	1	BOLT, TORX 5	TB-5*10 10.9		
15		V804-000040	1	BOLT, TORX 4	TB-4*10 10.9		

8. RECOIL STARTER



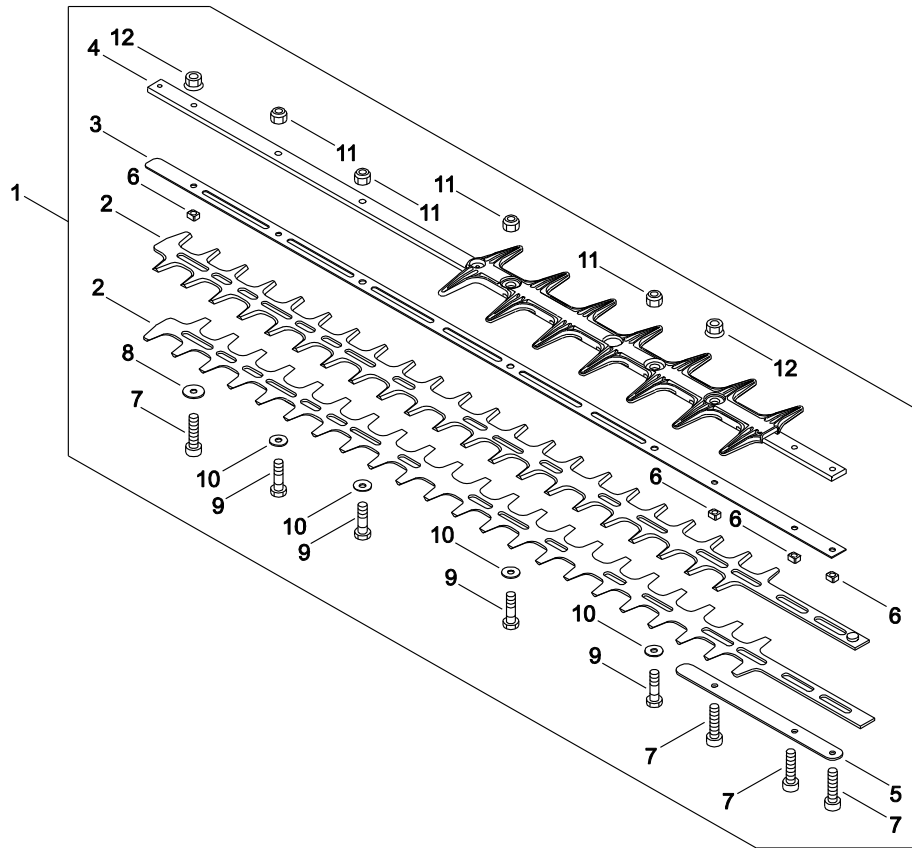
KEY	LV	PART NUMBER	Q'TY	DESCRIPTION	REMARKS	NOTE1	NOTE2
1		A172-002610	1	COVER,FAN			
2		P021-050330	1	RECOIL STARTER ASY			
3	+	P022-039960	1	CASE, STARTER			
4	+	177227-42030	1	GUIDE, ROPE			
5	+	900565-00005	1	NUT	5		
6	+	P022-027980	1	DRUM, STARTER			
7	+	P022-037310	1	PLATE, CAM			
8	+	P022-008270	1	SPRING,DAMPER			
9	+	177220-42030	1	SPRING, REWIND			
10	+	177236-61830	1	SCREW			
11	+	P022-006800	1	ROPE, STARTER	3.0*880		
12	+	177228-44330	1	GRIP, STARTER			
13	+	X504-007680	1	LABEL,BRAND	SHINDAIWA 47		
14		V804-000060	4	BOLT, TORX 4	TB-4*16 10.9		
15		V804-000010	1	BOLT, TORX 4	TT-4*16 DG 10.9		
16		X543-004710	1	LABEL,MODEL			

9. GEAR CASE



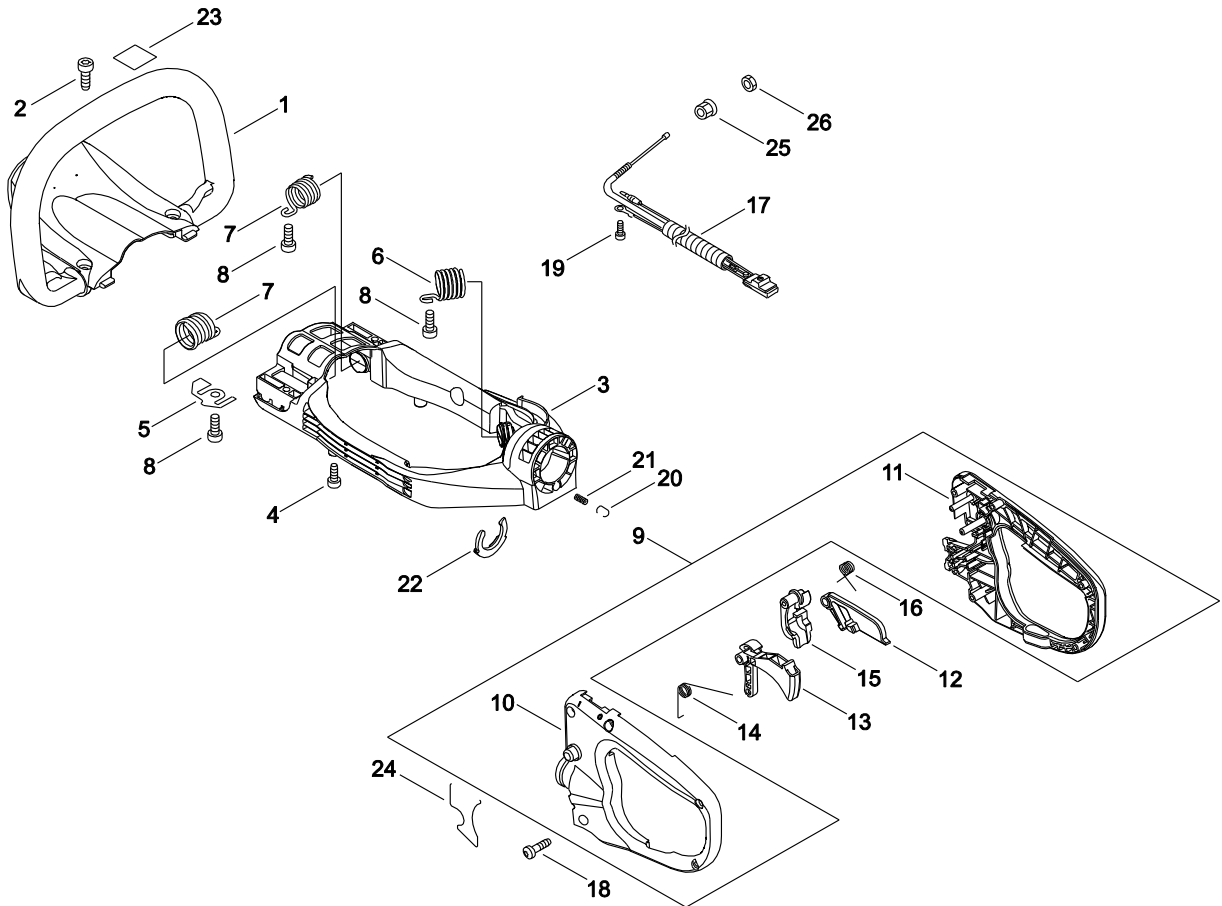
KEY	LV	PART NUMBER	Q'TY	DESCRIPTION	REMARKS	NOTE1	NOTE2
1		P021-013070	1	CASE, GEAR			
2	+	880110-10860	1	NIPPLE, GREASE			
3		V806-000140	3	BOLT, TORX 6	TB-6*45 12.9		
4		C628-000160	1	PIECE, PLATE			
5		C539-000021	1	LID, GEARCASE			
6		V150-001810	2	PLATE, EYE	T0.5		
7		V110-000060	1	GASKET, GEAR CASE	T0.3		
8		V804-000060	6	BOLT, TORX 4	TB-4*16 10.9		
9		A556-001630	1	DRUM, CLUTCH	50 T:1.4		
10		V650-000300	1	GEAR, SPUR	46T		
11		900812-06202	1	BEARING, BALL 6202	6202DDU(LLU)		
12		900810-36202	1	BEARING, BALL 6202	6202/C3		
13		900701-00014	1	CIRCLIP 14	CS-14		
14		900702-00035	1	CIRCLIP 35	CR-35		
15		V541-000140	1	SEAL			
16		C532-000170	2	ROD, CONNECTING			
17		A056-000750	1	CLUTCH ASY			
18	+	A552-000400	1	HUB, CLUTCH			
19	+	P021-046120	1	CLUTCH SHOE SET			
20	+	A566-000000	2	SPRING, CLUTCH			
21		A570-000320	1	CASE, CLUTCH			
22		900565-00005	1	NUT	5		

10. CUTTER



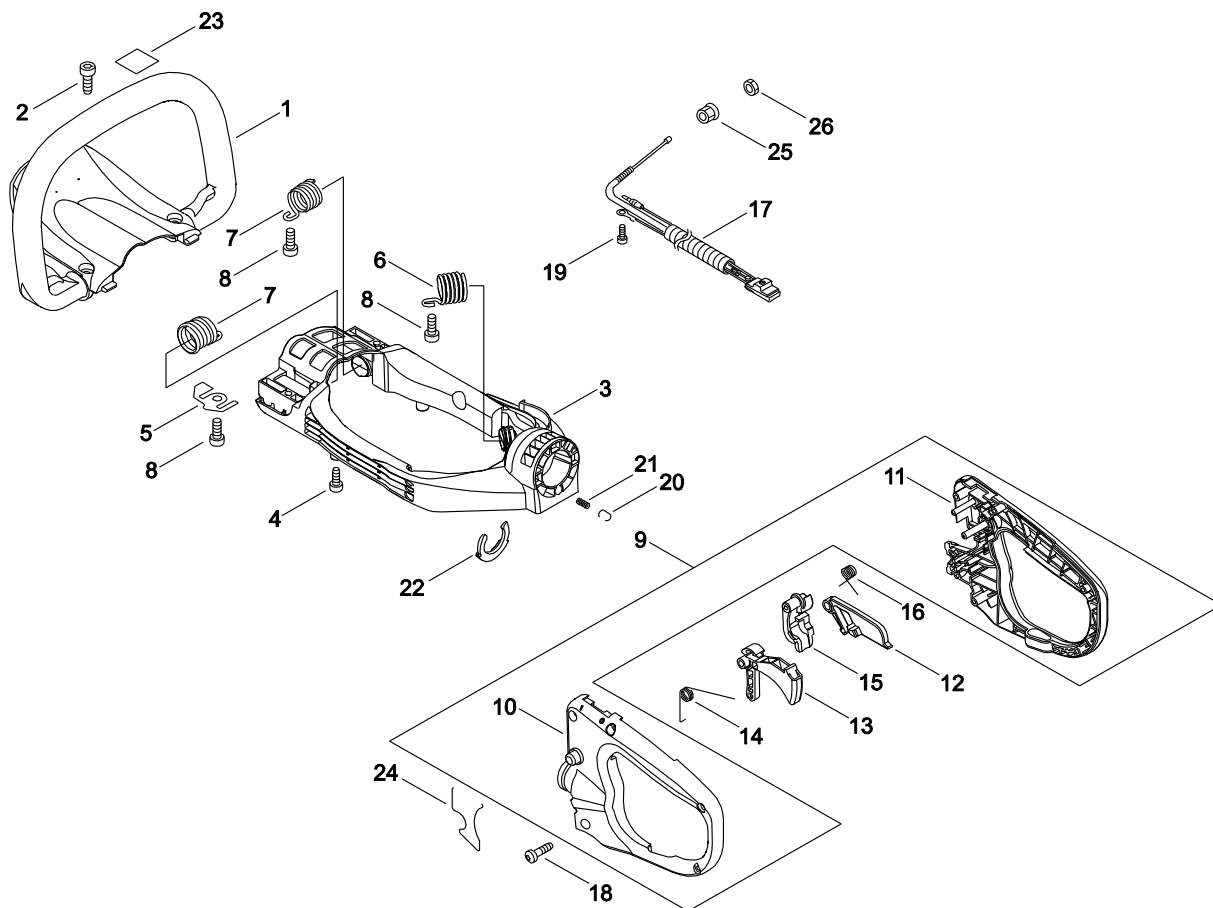
KEY	LV	PART NUMBER	Q'TY	DESCRIPTION	REMARKS	NOTE1	NOTE2
1		X041-000500	1	CUTTER,ASM			
2	+	X412-000650	2	CUTTER			
3	+	X425-000850	1	SUPPORT,CUTTER			
4	+	P021-049630	1	CUTTER SUPPORT ASY			
5	+	V150-001800	1	PLATE,EYE	T2.0		
6	+	V353-000250	4	COLLAR	9*7.45*5.3		
7	+	V805-000170	4	BOLT, TORX 5	TB-5*25 10.9		
8	+	177214-21860	1	WASHER	5.2*16*1.6T		
9	+	V204-000510	4	BOLT			
10	+	V304-000240	4	WASHER			
11	+	433022-06460	4	NUT			
12	+	92108-05000	2	NUT, FLANGE			

11. HANDLE



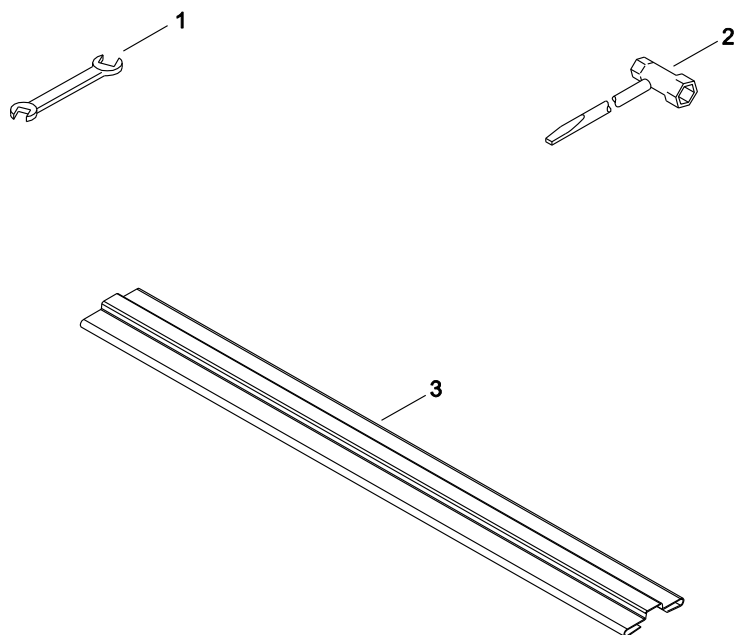
KEY	LV	PART NUMBER	Q'TY	DESCRIPTION	REMARKS	NOTE1	NOTE2
1		C400-000480	1	HANDLE, FRONT			
2		V805-000010	2	BOLT, TORX 5	TT-5*20 DG 10.9		
3		C600-001590	1	FRAME			
4		V805-000240	2	BOLT, TORX 5	TT-5*12 DG 10.9		
5		V150-003890	1	PLATE,EYE			
6		V450-001910	2	SPRING,COMPRESSION			
7		V450-001920	2	SPRING,COMPRESSION			
8		V805-000150	4	BOLT, TORX 5	TB-5*16 10.9		
9		P021-050350	1	REAR HANDLE SET			
10	+	P021-050340	1	REAR HANDLE ASY			
11	+	C410-001350	1	HANDLE,REAR			
12		C460-000580	1	LOCKOUT,THROTTLE			
13		C450-000960	1	TRIGGER,THROTTLE			
14		V452-000300	1	SPRING,TORSION			
15		C427-000020	1	STOPPER, HANDLE			
16		V452-000310	1	SPRING,TORSION			
17		P021-050360	1	SWITCH,ON OFF			
18		V804-000010	5	BOLT, TORX 4	TT-4*16 DG 10.9		
19		V804-000040	1	BOLT, TORX 4	TB-4*10 10.9		
20		605611-13360	1	PIN			
21		V450-000630	1	SPRING,COMPRESSION	5.1/3.5		
22		C423-000980	1	FIXTURE, HANDLE			

11. HANDLE



KEY	LV	PART NUMBER	Q'TY	DESCRIPTION	REMARKS	NOTE1	NOTE2
23		X505-002030	1	LABEL,CAUTION	37*35		
24		X532-000740	1	LABEL,OPERATION			
25		900515-00006	1	NUT, FLANGE 6	6		
26		900502-00006	1	NUT 6 (3N)	3N6		

12. ACCESSORIES



KEY	LV	PART NUMBER	Q'TY	DESCRIPTION	REMARKS	NOTE1	NOTE2
1		895112-00330	1	SPANNER 8*10			
2		895410-03930	1	WRENCH, W/S. DRIVER			
3		X495-000660	1	SCABBARD, BLADE			

Index

Patrs Number	Key No.	Patrs Number	Key No.	Patrs Number	Key No.
100014-08960	1 - 9	A130-001960	1 - 2	P005-001260	5 - 27
100015-04630	1 - 7	A160-003200	1 - 11	P005-001890	5 - 19
100113-05930	1 - 8	A172-002610	8 - 1	P005-001900	5 - 22
100142-12330	3 - 4	A200-000941	4 - 4	P005-002050	5 - 8
100212-61830	2 - 6	A209-000610	4 - 6	P005-002200	5 - 11
100213-61830	2 - 4	A226-001410	4 - 14	P005-002230	5 - 13
125323-08260	5 - 6	A244-000070	4 - 10	P005-003110	5 - 20
125337-08260	5 - 3	A300-001860	7 - 1	P021-013070	9 - 1
125338-13930	5 - 4	A310-000470	7 - 5	P021-037930	1 - 4
125339-42030	5 - 7	A313-001990	7 - 4	P021-041570	4 - 9
125342-52130	5 - 15	A313-002000	7 - 12	P021-045610	6 - 3
125344-13931	5 - 10	A319-000510	7 - 13	P021-046110	2 - 1
125344-52130	5 - 16	A320-001170	7 - 9	P021-046120	9 - 19
131016-55830	6 - 4	A350-001880	6 - 1	P021-049630	10 - 4
131911-03460	3 - 8	A356-000031	6 - 8	P021-050320	4 - 12
132010-49730	6 - 14	A365-000060	6 - 5	P021-050330	8 - 2
132115-44330	6 - 6	A369-000480	6 - 9	P021-050340	11 - 10
177214-21860	10 - 8	A409-001120	3 - 1	P021-050350	11 - 9
177220-42030	8 - 9	A411-001490	3 - 2	P021-050360	11 - 17
177227-42030	8 - 4	A425-000000	3 - 14	P022-006800	8 - 11
177228-44330	8 - 12	A426-000010	3 - 16	P022-008270	8 - 8
177236-61830	8 - 10	A427-000013	3 - 15	P022-027980	8 - 6
178070-10860	3 - 9	A514-000260	3 - 6	P022-037310	8 - 7
433022-06460	10 - 11	A552-000400	9 - 18	P022-039960	8 - 3
605611-13360	11 - 20	A556-001630	9 - 9	V100-000720	1 - 3
880110-10860	9 - 2	A566-000000	9 - 20	V102-000240	2 - 7
890332-52730	4 - 15	A570-000320	9 - 21	V103-001401	4 - 3
895112-00330	12 - 1	C400-000480	11 - 1	V103-001730	4 - 5
895410-03930	12 - 2	C410-001350	11 - 11	V103-001740	4 - 7
900502-00006	11 - 26	C423-000980	11 - 22	V104-002180	7 - 6
900515-00006	11 - 25	C427-000020	11 - 15	V104-002190	7 - 8
900565-00005	8 - 5	C450-000960	11 - 13	V110-000060	9 - 7
900565-00005	9 - 22	C460-000580	11 - 12	V135-000150	3 - 13
900603-00005	3 - 7	C532-000170	9 - 16	V137-000000	6 - 7
900603-00005	7 - 3	C539-000021	9 - 5	V150-001800	10 - 5
900701-00014	9 - 13	C600-001590	11 - 3	V150-001810	9 - 6
900702-00026	2 - 3	C628-000160	9 - 4	V150-003890	11 - 5
900702-00035	9 - 14	P005-000010	5 - 2	V186-000270	6 - 12
900810-36000	2 - 2	P005-000100	5 - 9	V203-000080	3 - 10
900810-36000	2 - 5	P005-000190	5 - 12	V204-000510	10 - 9
900810-36202	9 - 12	P005-000200	5 - 14	V299-000410	4 - 13
900812-06202	9 - 11	P005-000250	5 - 21	V304-000240	10 - 10
92105-06000	3 - 3	P005-000270	5 - 23	V353-000250	10 - 6
92108-05000	10 - 12	P005-000280	5 - 24	V420-004490	6 - 2
A011-001360	1 - 1	P005-000510	5 - 17	V450-000630	11 - 21
A021-004231	4 - 1	P005-000520	5 - 18	V450-001910	11 - 6
A021-004231	5 - 1	P005-000940	5 - 5	V450-001920	11 - 7
A056-000750	9 - 17	P005-001000	5 - 25	V452-000300	11 - 14
A101-000090	1 - 5	P005-001250	5 - 26	V452-000310	11 - 16

Index

Patrs Number	Key No.	Patrs Number	Key No.	Patrs Number	Key No.
V452-001370	3 - 11				
V471-003500	6 - 13				
V471-003510	6 - 10				
V485-001220	3 - 12				
V490-000500	6 - 11				
V490-001100	4 - 2				
V541-000140	9 - 15				
V606-000020	1 - 6				
V650-000300	9 - 10				
V804-000010	8 - 15				
V804-000010	11 - 18				
V804-000030	7 - 7				
V804-000040	7 - 15				
V804-000040	11 - 19				
V804-000060	3 - 5				
V804-000060	8 - 14				
V804-000060	9 - 8				
V805-000010	11 - 2				
V805-000100	4 - 11				
V805-000130	7 - 14				
V805-000150	1 - 12				
V805-000150	11 - 8				
V805-000170	4 - 8				
V805-000170	10 - 7				
V805-000190	7 - 2				
V805-000210	1 - 10				
V805-000220	2 - 8				
V805-000240	11 - 4				
V805-000320	7 - 10				
V806-000140	9 - 3				
X041-000500	10 - 1				
X412-000650	10 - 2				
X425-000850	10 - 3				
X495-000660	12 - 3				
X504-007680	8 - 13				
X505-002030	11 - 23				
X505-002310	7 - 11				
X532-000740	11 - 24				
X543-004710	8 - 16				

YAMABIKO CORPORATION

7-2 SUEHIROCHO 1-CHOME, OHME, TOKYO 198-8760, JAPAN
PHONE: 81-428-32-6118. FAX: 81-428-32-6145.

shindaiwa[®]